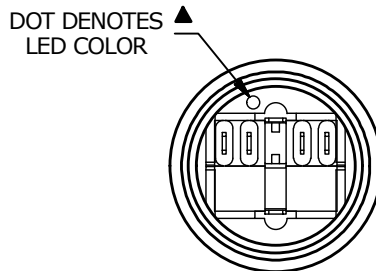
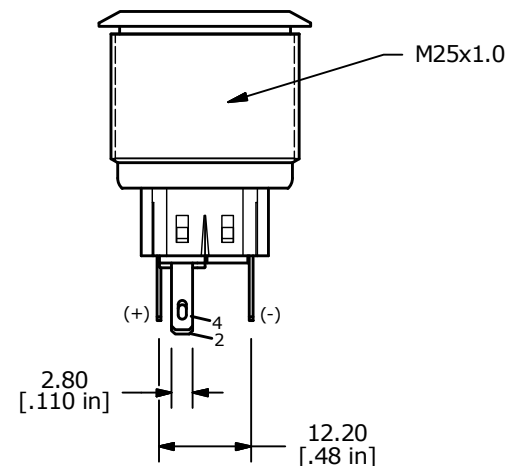
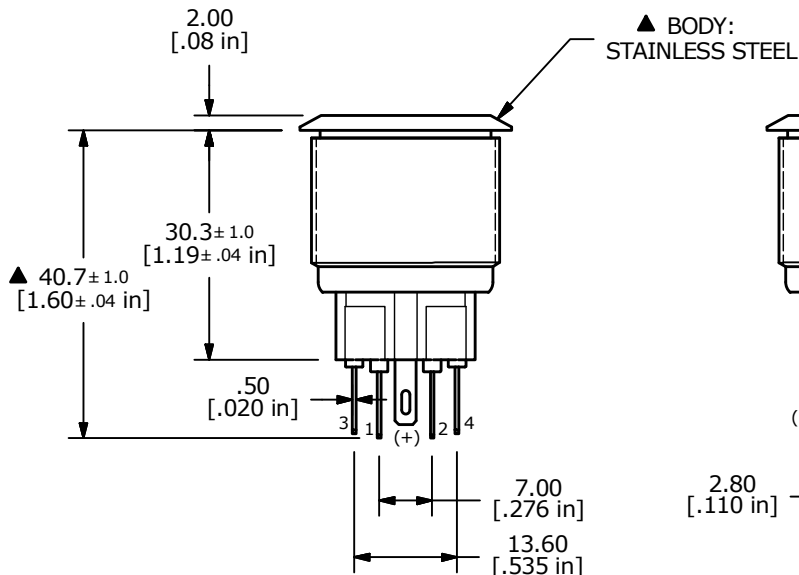
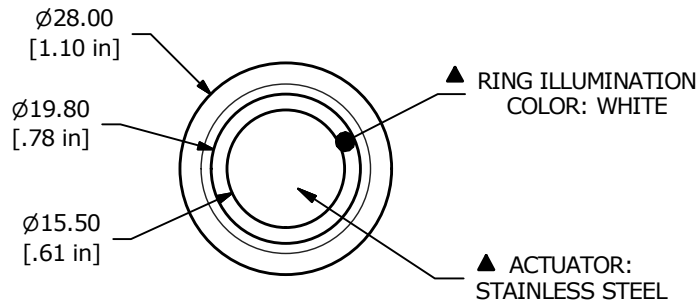
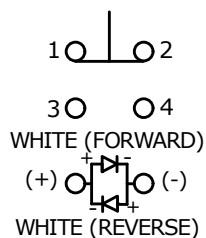


PANEL CUTOUT
MAX. PANEL THICKNESS 10mm



DOT DENOTES LED COLOR

SWITCH FUNCTION	
POS. 1	POS. 2
1-2	3-4



▲ SPDT ON-OFF / OFF-ON CONTACT CONFIGURATION

NOTE:

1. ALL DIMENSIONS IN MM [INCH]
2. GENERAL TOLERANCE: X.X = ± 0.4
X.XX = ± 0.25
3. TERMINAL NOS. FOR REF. ONLY
- ▲ 4. RATING: 2A @ 48VDC
5. CONTACT RESISTANCE: 50mΩ MAX. @ 1A 12VDC
6. INSULATION RESISTANCE: 1,000MΩ @ 500VDC
7. DIELECTRIC STRENGTH: 2,000VAC MIN. FOR 1 MINUTE
8. ELECTRICAL LIFE: 50,000 CYCLES
9. OPERATING TEMPERATURE: -20°C to 55°C
10. INGRESS PROTECTION: IP65
11. SUPPLIED HARDWARE: O-RING AND HEXNUT
12. ▲ DENOTES CRITICAL PARAMETER
13. 2011/65/EU (ROHS) COMPLIANT
- ▲ 14. ILLUMINATION VOLTAGE: 2.8V



A	23258	RELEASE FOR PRODUCTION	3/12/18	MW
REV	PCR NO	DESCRIPTION	DATE	BY

TITLE	PV8F2T0SS-301			
SCALE	1:1	DATE	3/12/2018	DR
			MW	DWG
			52-PV8F2T0SS301	REV
				A

THE INFORMATION CONTAINED IN THIS DOCUMENT IS PROPRIETARY TO E-SWITCH AND IS NOT TO BE COPIED OR TRANSFERRED